

FEATURES

- Broadband filtering due to low capacitance winding technique
- High suppression of asymmetrical interferences also at low frequency range
- Very compact design
- Highest possible rated current by small size
- Operating temperature: -40°C to $+125^{\circ}\text{C}$

APPLICATIONS

- Power electronics
- Power line in- and output filter
- Filtering of devices without any ground connection
- Suppression of radio interferences in motors
- Suppression of common mode noise

DIMENSIONS AND SHAPES(mm)

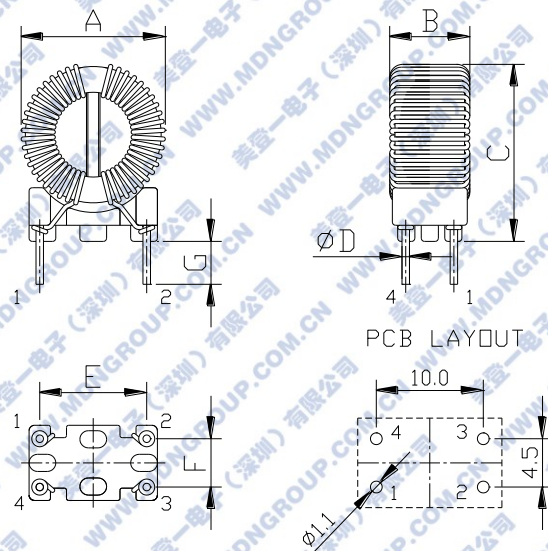
A max	B max	C max	D ref
16.0	8.0	18.0	0.7
$E \pm 0.5$	$F \pm 0.5$	$G \pm 1.0$	
10.0	4.5	4.0	

特 征

- 低电容绕组技术带来的宽带滤波
- 低频范围内对不对称干扰的高度抑制
- 非常紧凑的设计
- 小尺寸最大额定电流
- 工作温度： -40°C 至 $+125^{\circ}\text{C}$

用 途

- 电力电子设备
- 电源线输入和输出滤波器
- 无任何接地连接的设备过滤
- 抑制电机中的无线电干扰
- 共模噪声的抑制



SPECIFICATION

MIDEN'S P/N	WURTH'S P/N	Inductance (mH) @10KHz/0.25V $\pm 30\%$	DC Resistance ($\text{m}\Omega$) Max	Rated Current (A) Max	Rated Voltage (V) Max	Insulation Test Voltage (V) 50Hz/5mA/2S
CTB18M-L102	744821201	1.0	45	2.0	250	1500
CTB18M-L402	744821240	4.0	140	1.5	250	1500
CTB18M-L502	744821150	5.0	220	1.0	250	1500
CTB18M-L103	744821110	10	350	0.7	250	1500
CTB18M-L203	744821120	20	1000	0.5	250	1500
CTB18M-L393	744821039	39	3000	0.3	250	1500

FEATURES

- Broadband filtering due to low capacitance winding technique
- High suppression of asymmetrical interferences also at low frequency range
- Very compact design
- Highest possible rated current by small size
- Operating temperature: -40°C to $+125^{\circ}\text{C}$

APPLICATIONS

- Power electronics
- Power line in- and output filter
- Filtering of devices without any ground connection
- Suppression of radio interferences in motors
- Suppression of common mode noise

DIMENSIONS AND SHAPES(mm)

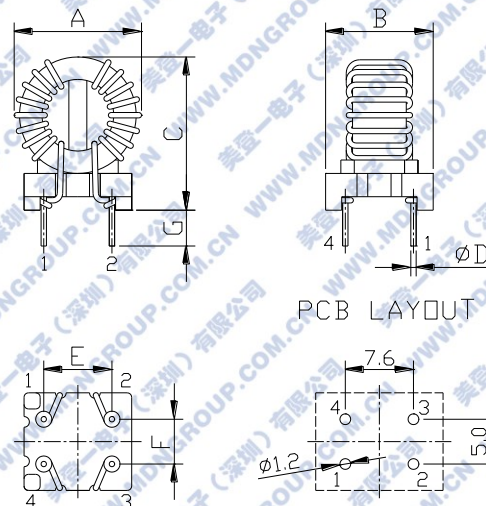
A max	B max	C max	$D \pm 0.1$
18.0	13.0	22.0	0.6
$E \pm 0.5$	$F \pm 0.5$	$G \pm 1.0$	
7.6	5.0	4.0	

特 征

- 低电容绕组技术带来的宽带滤波
- 低频范围内对不对称干扰的高度抑制
- 非常紧凑的设计
- 小尺寸最大额定电流
- 工作温度： -40°C 至 $+125^{\circ}\text{C}$

用 途

- 电力电子设备
- 电源线输入和输出滤波器
- 无任何接地连接的设备过滤
- 抑制电机中的无线电干扰
- 共模噪声的抑制



SPECIFICATION

MIDEN'S P/N	WURTH'S P/N	Inductance (mH) @100KHz/0.25V $\pm 30\%$	DC Resistance ($m\Omega$) Max	Rated Current (A) Max	Rated Voltage (V) Max	Insulation Test Voltage (V) 50Hz/5mA/2S
CTB22M-L181	7448228002	0.18	6	8	250	1500
CTB22M-L351	7448226404	0.35	10	7	250	1500
CTB22M-L451	7448227005	0.45	12	6	250	1500
CTB22M-L701	7448225007	0.70	15	5	250	1500

FEATURES

- Broadband filtering due to low capacitance winding technique
- High suppression of asymmetrical interferences also at low frequency range
- Very compact design
- Highest possible rated current by small size
- Operating temperature: -40°C to $+125^{\circ}\text{C}$

APPLICATIONS

- Power electronics
- Power line in- and output filter
- Filtering of devices without any ground connection
- Suppression of radio interferences in motors
- Suppression of common mode noise

DIMENSIONS AND SHAPES(mm)

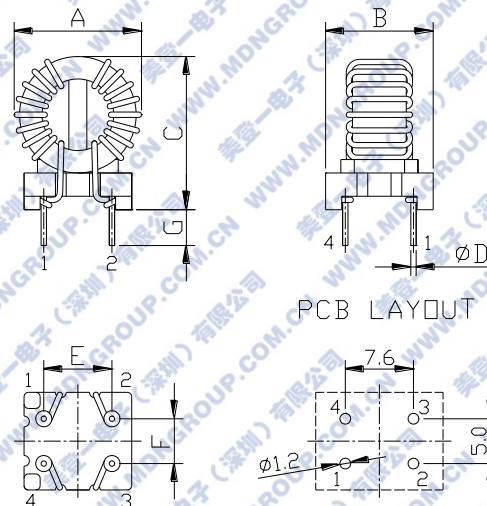
A max	B max	C max	D ± 0.1
18.0	13.0	22.0	0.6
E ± 0.5	F ± 0.5	G ± 1.0	
7.6	5.0	4.0	

特 征

- 低电容绕组技术带来的宽带滤波
- 低频范围内对不对称干扰的高度抑制
- 非常紧凑的设计
- 小尺寸最大额定电流
- 工作温度： -40°C 至 $+125^{\circ}\text{C}$

用 途

- 电力电子设备
- 电源线输入和输出滤波器
- 无任何接地连接的设备过滤
- 抑制电机中的无线电干扰
- 共模噪声的抑制



SPECIFICATION

MIDEN'S P/N	WURTH'S P/N	Inductance (mH) @10KHz/0.25V $\pm 30\%$	DC Resistance (m Ω) Max	Rated Current (A) Max	Rated Voltage (V) Max	Insulation Test Voltage (V) 50Hz/5mA/2S
CTB22M-L102	744822301	1.0	35	3.0	250	1500
CTB22M-L222	744822222	2.2	70	2.0	250	1500
CTB22M-L332	744822233	3.3	120	1.5	250	1500
CTB22M-L103	744822110	10	360	1.0	250	1500
CTB22M-L203	744822120	20	540	0.5	250	1500

COMMON MODE FILTERS 共模滤波器

CTB27M-SERIES

FEATURES

- Broadband filtering due to low capacitance winding technique
- High suppression of asymmetrical interferences also at low frequency range
- Very compact design
- Highest possible rated current by small size
- Operating temperature: -40°C to $+125^{\circ}\text{C}$

APPLICATIONS

- Power electronics
- Power line in- and output filter
- Filtering of devices without any ground connection
- Suppression of radio interferences in motors
- Suppression of common mode noise

DIMENSIONS AND SHAPES(mm)

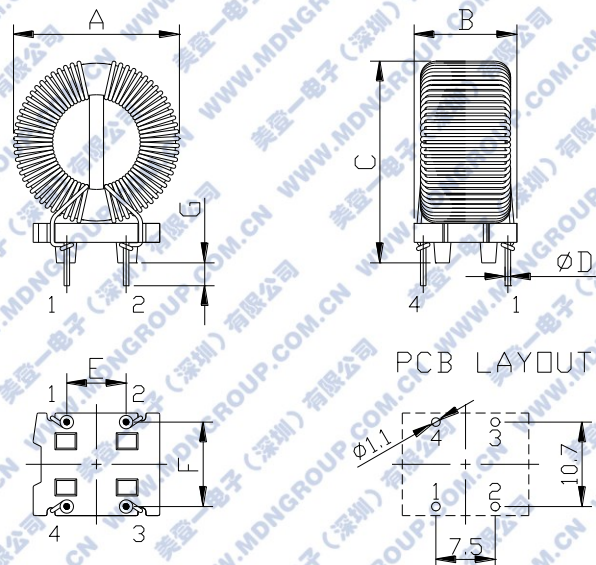
A max	B max	C max	D ref
23.0~25.0	14.0~17.0	27.0	0.7
$E \pm 0.5$	$F \pm 0.5$	$G \pm 1.0$	
7.5	10.7	4.0	

特 征

- 低电容绕组技术带来的宽带滤波
- 低频范围内对不对称干扰的高度抑制
- 非常紧凑的设计
- 小尺寸最大额定电流
- 工作温度： -40°C 至 $+125^{\circ}\text{C}$

用 途

- 电力电子设备
- 电源线输入和输出滤波器
- 无任何接地连接的设备过滤
- 抑制电机中的无线电干扰
- 共模噪声的抑制



SPECIFICATION

MIDEN'S P/N	WURTH'S P/N	Inductance (mH) @10KHz/0.25V $\pm 30\%$	DC Resistance (m Ω) Max	Rated Current (A) Max	Rated Voltage (V) Max	Insulation Test Voltage (V) 50Hz/5mA/2S
CTB27M-L102	744823601	1.0	13	6.0	250	1500
CTB27M-L222	744823422	2.2	30	4.0	250	1500
CTB27M-L333	744823333	3.3	60	3.0	250	1500
CTB27M-L502	744823305	5.0	95	2.5	250	1500
CTB27M-L103	744823210	10	125	2.0	250	1500
CTB27M-L203	744823220	20	270	1.5	250	1500

FEATURES

- Broadband filtering due to low capacitance winding technique
- High suppression of asymmetrical interferences also at low frequency range
- Very compact design
- Highest possible rated current by small size
- Operating temperature: -40°C to $+125^{\circ}\text{C}$

APPLICATIONS

- Power electronics
- Power line in- and output filter
- Filtering of devices without any ground connection
- Suppression of radio interferences in motors
- Suppression of common mode noise

DIMENSIONS AND SHAPES(mm)

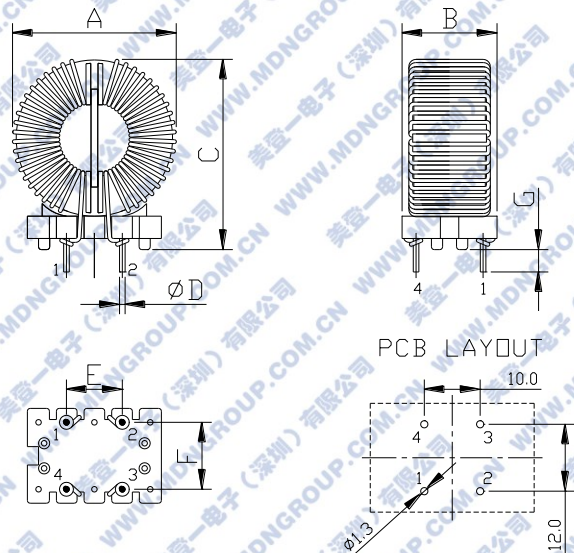
A max	B max	C max	D ref
28.0	19.0	33.0	1.0
$E \pm 0.5$	$F \pm 0.5$	$G \pm 1.0$	
10.0	12.0	4.0	

特 征

- 低电容绕组技术带来的宽带滤波
- 低频范围内对不对称干扰的高度抑制
- 非常紧凑的设计
- 小尺寸最大额定电流
- 工作温度: -40°C 至 $+125^{\circ}\text{C}$

用 途

- 电力电子设备
- 电源线输入和输出滤波器
- 无任何接地连接的设备过滤
- 抑制电机中的无线电干扰
- 共模噪声的抑制



SPECIFICATION

MIDEN'S P/N	WURTH'S P/N	Inductance (mH) @10KHz/0.25V $\pm 30\%$	DC Resistance (m Ω) Max	Rated Current (A) Max	Rated Voltage (V) Max	Insulation Test Voltage (V) 50Hz/5mA/2S
CTB33M-L102	744824801	1.0	10	7.5	250	1500
CTB33M-L222	744824622	2.2	20	6.0	250	1500
CTB33M-L332	744824433	3.3	35	4.5	250	1500
CTB33M-L502	744824405	5.0	50	4.0	250	1500
CTB33M-L702	744824407	7.0	80	3.5	250	1500
CTB33M-L103	744824310	10	105	3.0	250	1500
CTB33M-L203	744824220	20	220	2.0	250	1500

FEATURES

- Broadband filtering due to low capacitance winding technique
- High suppression of asymmetrical interferences also at low frequency range
- Very compact design
- Highest possible rated current by small size
- Operating temperature: -40°C to $+125^{\circ}\text{C}$

APPLICATIONS

- Power electronics
- Power line in- and output filter
- Filtering of devices without any ground connection
- Suppression of radio interferences in motors
- Suppression of common mode noise

DIMENSIONS AND SHAPES(mm)

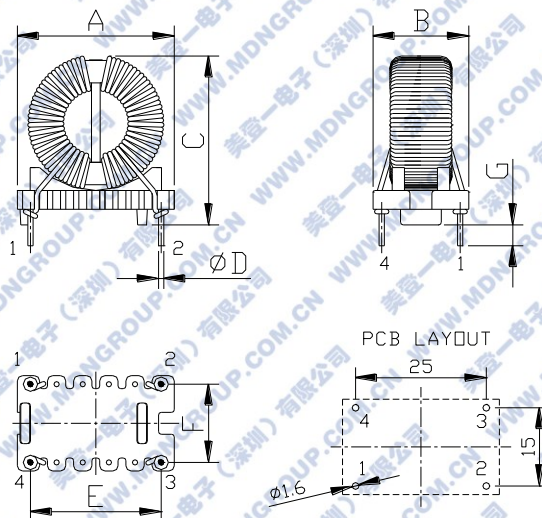
A max	B max	C max	D ref
30.0~31.0	21.0~22.0	35.0	1.0
$E \pm 0.5$	$F \pm 0.5$	$G \pm 1.0$	
25.0	15.0	5.0	

特 征

- 低电容绕组技术带来的宽带滤波
- 低频范围内对不对称干扰的高度抑制
- 非常紧凑的设计
- 小尺寸最大额定电流
- 工作温度： -40°C 至 $+125^{\circ}\text{C}$

用 途

- 电力电子设备
- 电源线输入和输出滤波器
- 无任何接地连接的设备过滤
- 抑制电机中的无线电干扰
- 共模噪声的抑制



SPECIFICATION

MIDEN'S P/N	WURTH'S P/N	Inductance (mH) @10KHz/0.25V $\pm 30\%$	DC Resistance (m Ω) Max	Rated Current (A) Max	Rated Voltage (V) Max	Insulation Test Voltage (V) 50Hz/5mA/2S
CTB35M-L102	7448251201	1.0	9	12	250	1500
CTB35M-L222	7448258022	2.2	14	8	250	1500
CTB35M-L332	7448256033	3.3	25	7	250	1500
CTB35M-L502	744825605	5.0	45	6	250	1500
CTB35M-L103	744825410	10	70	5	250	1500
CTB35M-L203	744825320	20	160	4	250	1500
CTB35M-L333	744825433	33	210	3	250	1500

COMMON MODE FILTERS 共模滤波器

CTB43M-SERIES

FEATURES

- Broadband filtering due to low capacitance winding technique
- High suppression of asymmetrical interferences also at low frequency range
- Very compact design
- Highest possible rated current by small size
- Operating temperature: -40°C to $+125^{\circ}\text{C}$

APPLICATIONS

- Power electronics
- Power line in- and output filter
- Filtering of devices without any ground connection
- Suppression of radio interferences in motors
- Suppression of common mode noise

DIMENSIONS AND SHAPES(mm)

A max	B max	C max	D ref
43.0~47.0	24.0	43.0	By P/N
$E \pm 0.5$	$F \pm 0.5$	$G \pm 1.0$	H ref
10	21.0	5.0	By P/N

SPECIFICATION

MIDEN'S P/N	WURTH'S P/N	Inductance (mH) @10KHz/0.25V $\pm 30\%$	DC Resistance (m Ω) Max	Rated Current (A) Max	Rated Voltage (V) Max	Insulation Test Voltage (V) 50Hz/5mA/2S
CTB43M-L501	7448263505	0.5	3	35	250	1500
CTB43M-L102	7448262510	1.0	5	25	250	1500
CTB43M-L132	7448262013	1.3	7	20	250	1500
CTB43M-L182	7448261418	1.8	10	14	250	1500

特 征

- 低电容绕组技术带来的宽带滤波
- 低频范围内对不对称干扰的高度抑制
- 非常紧凑的设计
- 小尺寸最大额定电流
- 工作温度: -40°C 至 $+125^{\circ}\text{C}$

用 途

- 电力电子设备
- 电源线输入和输出滤波器
- 无任何接地连接的设备过滤
- 抑制电机中的无线电干扰
- 共模噪声的抑制

