

## COMMON MODE FILTERS 共模滤波器

CTB39MV-SERIES

## FEATURES

- Broadband filtering due to low capacitance winding technique
- High suppression of asymmetrical interferences also at low frequency range
- Very compact design
- Highest possible rated current by small size
- Operating temperature:  $-40^{\circ}\text{C}$  to  $+125^{\circ}\text{C}$

## APPLICATIONS

- Power electronics
- Power line in- and output filter
- Filtering of devices without any ground connection
- Suppression of radio interferences in motors
- Suppression of common mode noise

## DIMENSIONS AND SHAPES(mm)

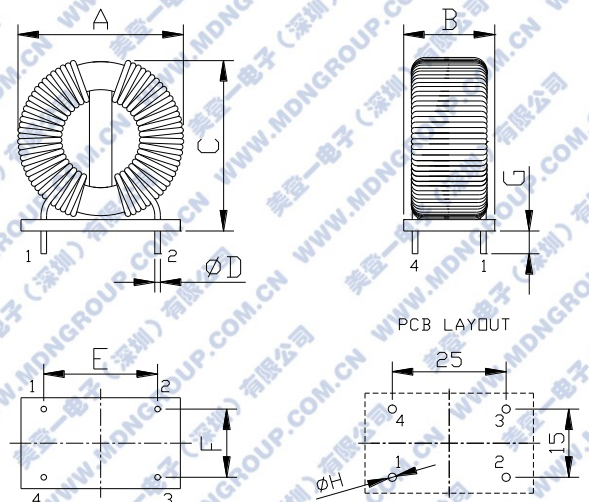
|             |             |             |        |
|-------------|-------------|-------------|--------|
| A max       | B max       | C max       | D ref  |
| 42.5        | 23.0        | 39.5        | By P/N |
| $E \pm 0.5$ | $F \pm 0.5$ | $G \pm 1.0$ | H ref  |
| 25.0        | 15.0        | 5.0         | By P/N |

## 特 征

- 低电容绕组技术带来的宽带滤波
- 低频范围内对不对称干扰的高度抑制
- 非常紧凑的设计
- 小尺寸最大额定电流
- 工作温度： $-40^{\circ}\text{C}$  至  $+125^{\circ}\text{C}$

## 用 途

- 电力电子设备
- 电源线输入和输出滤波器
- 无任何接地连接的设备过滤
- 抑制电机中的无线电干扰
- 共模噪声的抑制



## SPECIFICATION

| MIDEN'S P/N  | WURTH'S P/N  | Inductance (mH)<br>@10KHz/0.25V<br>$\pm 30\%$ | DC Resistance ( $\text{m}\Omega$ )<br>Max | Rated Current (A)<br>Max | Rated Voltage (V)<br>Max | Insulation Test Voltage (V)<br>50Hz/5mA/2S |
|--------------|--------------|---|---|--------------------------|--------------------------|--|
| CTB39MV-L701 | 744830007215 | 0.7   | 3.8                                       | 21.5                     | 760                      | 3000                                       |
| CTB39MV-L102 | 744830010185 | 1.0   | 5.5                                       | 18.5                     | 760                      | 3000                                       |
| CTB39MV-L172 | 744830017132 | 1.7   | 10  | 13.2                     | 760                      | 3000                                       |
| CTB39MV-L252 | 744830025103 | 2.5   | 18  | 10.3                     | 760                      | 3000                                       |
| CTB39MV-L392 | 744830039080 | 3.9   | 31  | 8.0                      | 760                      | 3000                                       |

## FEATURES

- Broadband filtering due to low capacitance winding technique
- High suppression of asymmetrical interferences also at low frequency range
- Very compact design
- Highest possible rated current by small size
- Operating temperature:  $-40^{\circ}\text{C}$  to  $+125^{\circ}\text{C}$

## APPLICATIONS

- Power electronics
- Power line in- and output filter
- Filtering of devices without any ground connection
- Suppression of radio interferences in motors
- Suppression of common mode noise

## DIMENSIONS AND SHAPES(mm)

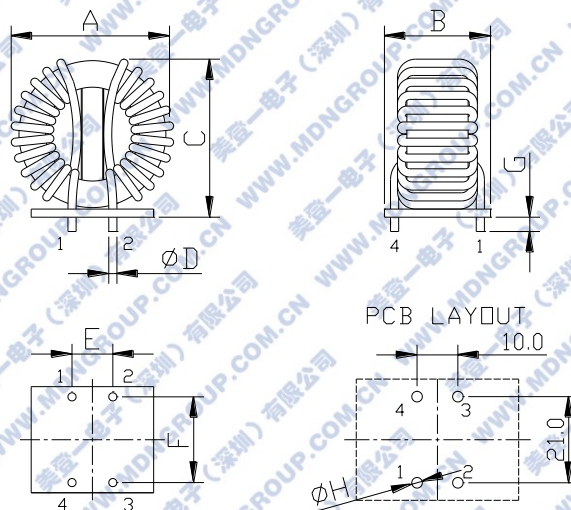
| A max       | B max       | C max       | D ref  |
|-------------|-------------|-------------|--------|
| 46.5        | 28.0        | 44.5        | By P/N |
| E $\pm 0.5$ | F $\pm 0.5$ | G $\pm 1.0$ | H ref  |
| 10          | 21.0        | 5.0         | By P/N |

## 特 征

- 低电容绕组技术带来的宽带滤波
- 低频范围内对不对称干扰的高度抑制
- 非常紧凑的设计
- 小尺寸最大额定电流
- 工作温度:  $-40^{\circ}\text{C}$  至  $+125^{\circ}\text{C}$

## 用 途

- 电力电子设备
- 电源线输入和输出滤波器
- 无任何接地连接的设备过滤
- 抑制电机中的无线电干扰
- 共模噪声的抑制



## SPECIFICATION

| P/N          | WURTH'S P/N  | Inductance (mH)<br>@10KHz/0.25V<br>$\pm 30\%$ | DC Resistance (m $\Omega$ )<br>Max | Rated Current (A)<br>Max | Rated Voltage (V)<br>Max | Insulation Test Voltage (V)<br>50Hz/5mA/2S |
|--------------|--------------|---|------------------------------------|--------------------------|--------------------------|--|
| CTB44MV-L102 | 744831010205 | 1.0   | 5.5                                | 20.5                     | 760                      | 3000                                       |
| CTB44MV-L162 | 744831016164 | 1.6   | 8.5                                | 16.4                     | 760                      | 3000                                       |
| CTB44MV-L202 | 744831020133 | 2.0   | 13                                 | 13.3                     | 760                      | 3000                                       |
| CTB44MV-L342 | 744831034090 | 3.4   | 27                                 | 9.0                      | 760                      | 3000                                       |
| CTB44MV-L472 | 744831047068 | 4.7   | 44                                 | 6.8                      | 760                      | 3000                                       |