

COMMON MODE FILTERS 共模滤波器

CTB18N-SERIES

FEATURES

- Core material: Nickel-Zinc Ferrite
- High suppression rates of asymmetrical interferences at high and middle frequencies
- High interference stability against RF interference and burst signals
- Compact design
- Noise suppression up to 300 MHz
- Operating temperature: -40°C to $+125^{\circ}\text{C}$

APPLICATIONS

- Power electronics
- Power line in- and output filter
- Optimized for burst signals

DIMENSIONS AND SHAPES(mm)

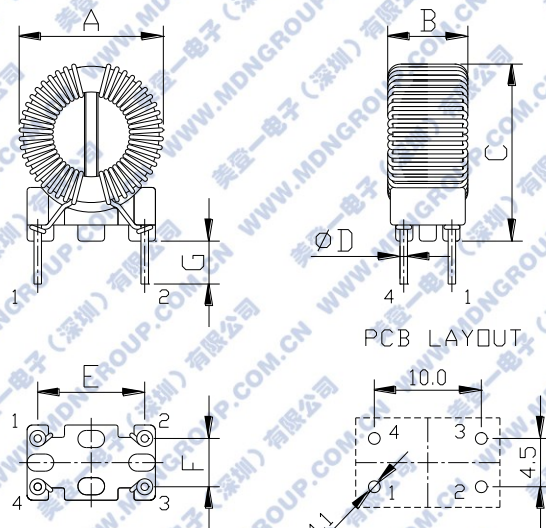
A max	B max	C max	D ref
16.0	8.0	18.0	0.7
$E \pm 0.5$	$F \pm 0.5$	$G \pm 1.0$	
10.0	4.5	4.0	

特 征

- 铁芯材料：镍锌铁氧体
- 高频和中频不对称干扰的高抑制率
- 抗射频干扰和突发信号的高干扰稳定性
- 紧凑的设计
- 噪声抑制高达 300 MHz
- 工作温度： -40°C 至 $+125^{\circ}\text{C}$

用 途

- 电力电子设备
- 电源线输入和输出滤波器
- 针对突发信号进行了优化



SPECIFICATION

MIDEN'S P/N	WURTH'S P/N	Inductance (μH) @100KHz/0.25V $\pm 30\%$	DC Resistance ($\text{m}\Omega$) $\pm 30\%$	Rated Current (A) Max	Rated Voltage (V) Max	Insulation Test Voltage (V) 50Hz/5mA/2S
CTB18N-L140	744841414	14	15	4	250	1500
CTB18N-L300	744841330	30	26	3	250	1500
CTB18N-L470	744841247	47	40	2	250	1500
CTB18N-L101	744841210	100	80	1.5	250	1500

COMMON MODE FILTERS 共模滤波器

CTB22N-SERIES

FEATURES

- Core material: Nickel-Zinc Ferrite
- High suppression rates of asymmetrical interferences at high and middle frequencies
- High interference stability against RF interference and burst signals
- Compact design
- Noise suppression up to 300 MHz
- Operating temperature: -40°C to $+125^{\circ}\text{C}$

APPLICATIONS

- Power electronics
- Power line in- and output filter
- Optimized for burst signals

DIMENSIONS AND SHAPES(mm)

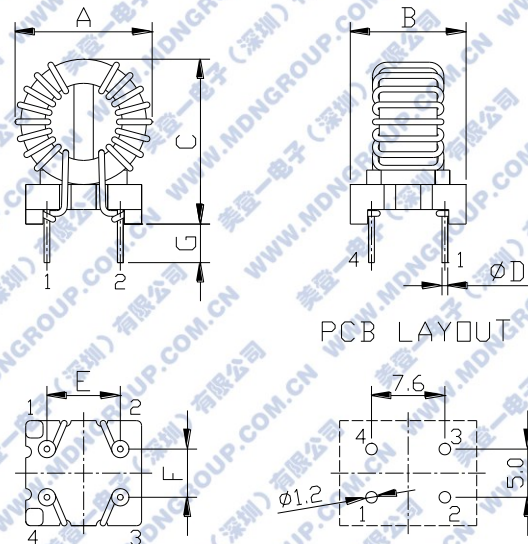
A max	B max	C max	$D \pm 0.1$
18.0	13.0	22.0	BY P/N
$E \pm 0.5$	$F \pm 0.5$	$G \pm 1.0$	
7.6	5.0	4.0	

特 征

- 铁芯材料：镍锌铁氧体
- 高频和中频不对称干扰的高抑制率
- 抗射频干扰和突发信号的高干扰稳定性
- 紧凑的设计
- 噪声抑制高达 300 MHz
- 工作温度： -40°C 至 $+125^{\circ}\text{C}$

用 途

- 电力电子设备
- 电源线输入和输出滤波器
- 针对突发信号进行了优化



SPECIFICATION

P/N	WURTH'S P/N	Inductance (μH) @100KHz/0.25V $\pm 30\%$	DC Resistance ($\text{m}\Omega$) Max	Rated Current (A) Max	Rated Voltage (V) Max	Insulation Test Voltage (V) 50Hz/5mA/2S
CTB22N-L160	744842816	16	6	7.5	250	1500
CTB22N-L160B	7448421016	16	3	10	250	1500
CTB22N-L320	744842632	32	10	6.5	250	1500
CTB22N-L320B	744842932	32	6	8.5	250	1500
CTB22N-L420	744842742	42	12	6.5	250	1500
CTB22N-L650	744842565	65	15	5.0	250	1500
CTB22N-L111	744842311	110	35	3.0	250	1500