

## FEATURES

- Excellent impedance characteristics, making it great for suppressing common mode noise.
- Winding type realizes small size and low profile for surface mounting.
- Impedance range from 500  $\Omega$  to 2200  $\Omega$ .

## APPLICATIONS

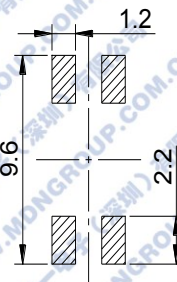
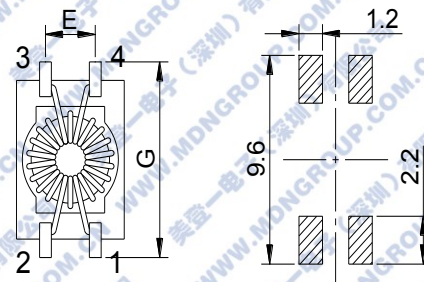
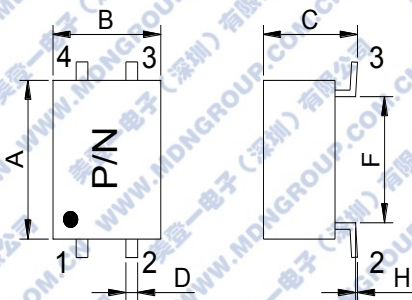
- Suitable for noise suppression in common mode circle such as USB line of PC, peripheral equipments, small digital AV equipment, automotive power trains etc.

## ORDERING CODE

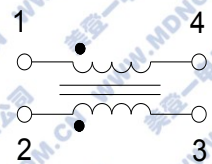
DR331 - 113BE

Inductance value  
Type

## DIMENSIONS AND LAND PATTERNS(mm)



## SCHEMATIC



A( $\pm 0.3$ )	B( $\pm 0.2$ )	C( $\pm 0.2$ )	D( $\pm 0.2$ )	E( $\pm 0.2$ )	F( $\pm 0.3$ )	G( $\pm 0.3$ )	H(Max)
7.30	5.40	4.70	0.50	2.54	5.5	9.0	0.25

## SPECIFICATION

PART NO.	L 100KHz/0.1V uH	Lk(1-4) 100KHz/0.1V uH	DCR Max $\Omega$	Rated Current Max A	Winding
DR331-113BE	11 $\pm$ 25%	0.05	0.12	0.5	Bifilar
DR331-253AE	25 $\pm$ 25%	1.50	0.20	0.5	Sector
DR331-513AE	51 $\pm$ 25%	2.00	0.30	0.5	Sector
DR331-513BE	51 $\pm$ 25%	0.60	0.30	0.5	Bifilar
DR331-104AE	100 $\pm$ 25%	0.85	0.10	0.5	Sector
DR331-474BE	470 $\pm$ 25%	0.28	0.28	0.5	Bifilar
DR331-105BE	1000 $\pm$ 25%	0.29	0.40	0.5	Bifilar
DR331-225BE	2200 $\pm$ 25%	0.30	0.70	0.3	Bifilar
DR331-475BE	4700 $\pm$ 25%	0.30	0.70	0.2	Bifilar

## 特 征

- 良好的高频阻抗特性，能有效抑制共模噪声效果；
- 绕线结构，小尺寸适合表面贴装；
- 阻抗范围从 500  $\Omega$  to 2200  $\Omega$ 。

## 用 途

- 适用于电脑及其外设、数字 AV 等设备的 USB 接口，笔记本电脑、LCD 的 LVDS 线、车载动力传输等共模噪声控制。

## SHAPE

