

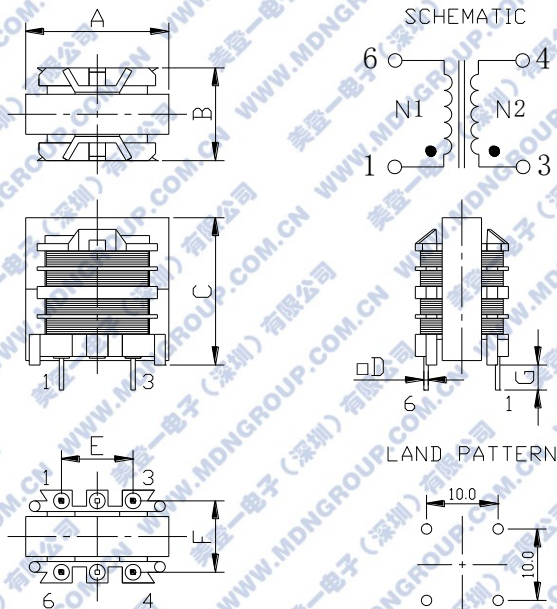
FEATURES

- High resonance frequency due to 2-section winding.
- High pulse strength.
- Low whirring noise

APPLICATIONS

- Suppression of common-mode interferences.
- Electronic ballasts for lamps.
- Switch-mode power supplies for consumer electronics.

DIMENSIONS AND LAND PATTERNS(mm)

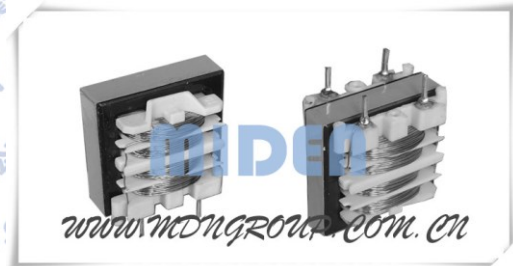


特 征

- 分段绕组的谐振频率高；
- 高脉冲强度；
- 低噪音。

用 途

- 抑制共模干扰；
- 灯用电子镇流器。
- 消费电子的开关电源。



A max	B max	C max	D±0.1
21.5	13.5	21.1	0.64
E±0.2	F±0.2	G±1.0	
10	10	3.5	

SPECIFICATION

P/N	Inductance (mH) @1KHz Min	DC Resistance (Ω) Typ	Rated Current (A)	Rated Voltage (VAC)	Insulation Resistance (M Ω)
FT21-L332U	3.3	0.20	1.8	250	100
FT21-L682U	6.8	0.37	1.3	250	100
FT21-L103U	10	0.63	1.0	250	100
FT21-L153U	15	0.95	0.8	250	100
FT21-L273U	27	1.60	0.65	250	100
FT21-L393U	39	2.20	0.55	250	100
FT21-L473U	47	2.80	0.45	250	100
FT21-L683U	68	4.40	0.35	250	100
FT21-L104U	100	6.60	0.30	250	100