

**DIP POWER INDUCTORS 插件功率电感****HTP 系列****FEATURES**

- Excellent solderability and heat resistance.
- Comparatively large rated current.
- Entire winding core is encapsulated in heat shrunk UL or PVC tube to provide mechanical and environmental protection.
- Low cost with rugged reliability and performance fixed inductor.

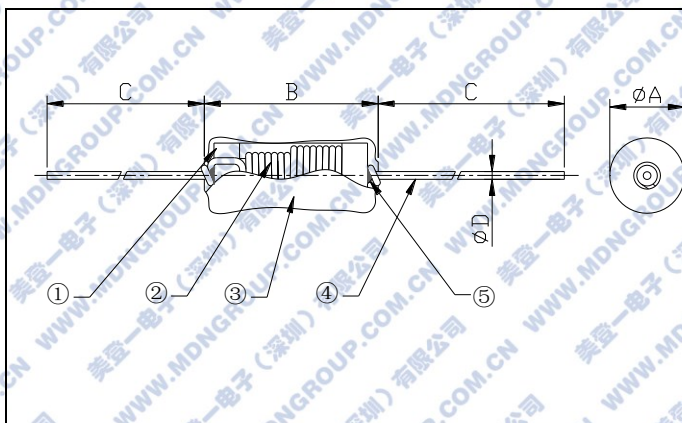
**APPLICATIONS**

- Excellent as DC-DC converter boost or buck inductors. Also used for filtering applications. Such as lighting, PC, TV, DVD, DVB, electronic toys and games, and other A/V equipment etc.

**ORDERING CODE**

HTP 0512 - 100 K

Tol.(J:±5%;K:±10%;M:±20%)  
Inductance value(uH)  
Specification  
Type

**DIMENSIONS (mm)**

Component		MODEL	A max	B max	C ref	D ref
1.Core	Ferrite core	HTP0410	5.5	15.0	20	0.60
2.Wire	Polyurethane enameled copper wires	HTP0512	6.5	16.0	20	0.60
3.Lead wire	Soldered copper wires	HTP0612	7.5	18.0	20	0.60
4.Tube	Heat shrinkable tube	HTP0810	9.5	16.0	20	0.60
5.Glue	Epoxy resin	HTP0912	11.0	18.0	20	0.80
		HTP1019	11.0	25.0	20	0.80
		HTP1419	16.0	25.0	20	1.00

**特 征**

- 优秀的焊锡性及耐热性;
- 超大的额定电流;
- 绕线之铁芯完全封装于 UL 或 PVC 热缩管内以提供对机械及环境的保护;
- 低成本且具严格可靠度及表现一致的电感。

**用 途**

- 很适合应用于直流-直流整流器或作为低阶电感,亦用于滤波应用。如照明设施、电脑、电视、DVD、电视机顶盒、电子玩具及其他影音设备等。

**SHAPE**