

POWER INDUCTORS FOR DIGITAL AMPLIFIER 数字功放电感

LQ32 系列

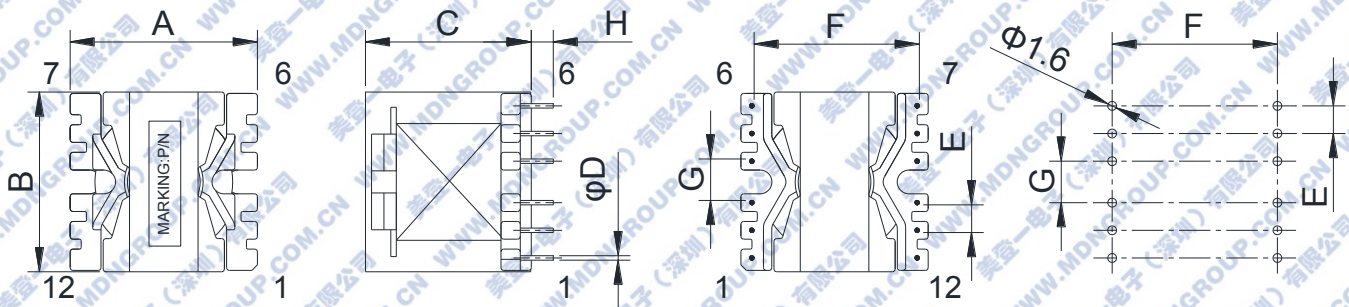
FEATURES

- Low DC resistance using stc wire , DIP type.
- Low radiation noise by magnetically shielded construction.
- Super high current.
- Wide frequency range: ~1MHz.
- The optimal design realizes high quality sound and low distortion.

APPLICATIONS

- Suitable as choke for digital amp. Car audio, LCD and PDP TV, 5.1ch Home theater, etc.

DIMENSIONS (mm) AND PCB LAYOUT



TYPE	Amm (±0.8)	Bmm (±0.8)	Cmm (Max)	Dmm (±0.1)	Emm (±0.5)	Fmm (±0.5)	Gmm (±0.5)	Hmm (±1.0)
LQ32-	34.0	33.0	33.5	0.8	5.0	30.0	7.5	4.0

ELECTRICAL CHARACTERISTICS

TYPE	Inductance (μH) $\pm 20\%$ @100KHz&0.25V	DC resistance ($\text{m}\Omega$) Max	DC saturation allowable current (A)max	Temperature rise allowable current (A)max
LQ32-100	10	15	65	20
LQ32-150	15	15	45	20
LQ32-220	22	15	30	20
LQ32-330	33	15	20	20
LQ32-470	47	15	15	20

- REMARK: 1、 DC saturation allowable current: Value of inductance decrease within -30%;
2、 Temperature rise allowable current: A rise in temperature of core surface is within 40°C.

特 征

- 低直流电阻绞合线，插件类型；
- 闭磁路封装，低辐射；
- 超大的额定电流；
- 较宽频率应用范围；
- 高音质低失真的最佳设计。

用 途

- 适用于超大数字功放扼流。如汽车音响，LCD 电视和 PDP 电视，5.1 声道家庭影院等。

INDUCTORS FOR DIGITAL AMPLIFIER 数字功放电感

LQ40 系列

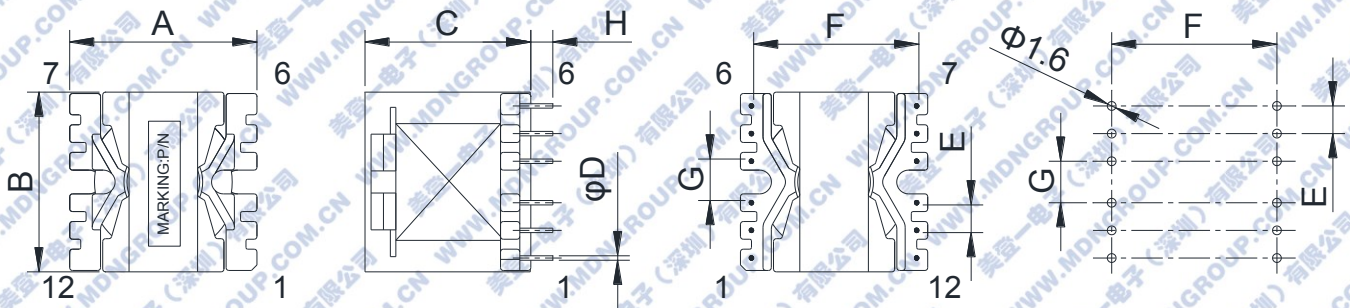
FEATURES

- Low DC resistance using stc wire , DIP type.
- Low radiation noise by magnetically shielded construction.
- Super high current.
- Wide frequency range: ~1MHz.
- The optimal design realizes high quality sound and low distortion.

APPLICATIONS

- Suitable as choke for digital amp. Car audio, LCD and PDP TV, 5.1ch Home theater, etc.

DIMENSIONS (mm) AND PCB LAYOUT



TYPE	Amm (±1.0)	Bmm (±1.0)	Cmm (Max)	Dmm (±0.1)	Emm (±0.5)	Fmm (±0.5)	Gmm (±0.5)	Hmm (±1.0)
LQ40-	42.5	41.0	45.0	0.9	5.0	38.0	15.0	4.0

ELECTRICAL CHARACTERISTICS

TYPE	Inductance (μH) $\pm 20\%$ @100KHz&0.25V	DC resistance ($\text{m}\Omega$) Max	DC saturation allowable current (A)max	Temperature rise allowable current (A)max
LQ40-100	10	20	80	35
LQ40-150	15	20	65	35
LQ40-220	22	20	45	35
LQ40-330	33	20	30	35
LQ40-470	47	20	22	35

- REMARK: 1、 DC saturation allowable current: Value of inductance decrease within -30%;
2、 Temperature rise allowable current: A rise in temperature of core surface is within 40°C.

特 征

- 低直流电阻绞合线，插件类型；
- 闭磁路封装，低辐射；
- 超大的额定电流；
- 较宽频率应用范围；
- 高音质低失真的最佳设计。

用 途

- 适用于超大数字功放扼流。如汽车音响，LCD 电视和 PDP 电视，5.1 声道家庭影院等。

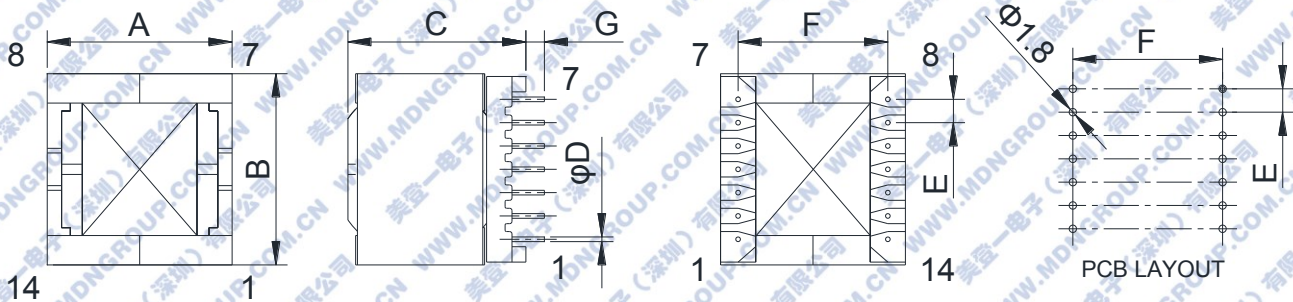
FEATURES

- Low DC resistance using stc wire , DIP type.
- Low radiation noise by magnetically shielded construction.
- Super high current.
- Wide frequency range: ~1MHz.
- The optimal design realizes high quality sound and low distortion.

APPLICATIONS

- Suitable as choke for digital amp. Car audio, LCD and PDP TV, 5.1ch Home theater, etc.

DIMENSIONS (mm) AND PCB LAYOUT



TYPE	Amm (Max)	Bmm (Max)	Cmm (Max)	Dmm (± 0.1)	Emm (± 0.5)	Fmm (± 0.5)	Gmm (± 1.0)
LQ40H-	42.0	42.0	42.0	1.0	4.9	35.0	4.0

ELECTRICAL CHARACTERISTICS

TYPE	Inductance (μH) $\pm 20\%$ @100KHz&0.25V	DC resistance ($\text{m}\Omega$) Max	DC saturation allowable current (A)max	Temperature rise allowable current (A)max
LQ40H-100	10	20	>80	35
LQ40H-150	15	20	65	35
LQ40H-220	22	20	45	35
LQ40H-330	33	20	30	35
LQ40H-470	47	20	22	35

REMARK: 1、 DC saturation allowable current: Value of inductance decrease within -30%;
2、 Temperature rise allowable current: A rise in temperature of core surface is within 40°C.

特 征

- 低直流电阻绞合线，插件类型；
- 闭磁路封装，低辐射；
- 超大的额定电流；
- 较宽频率应用范围；
- 高音质低失真的最佳设计。

用 途

- 适用于超大数字功放扼流。如汽车音响，LCD 电视和 PDP 电视，5.1 声道家庭影院等。