

POWER OVER ETHERNET TRANSFORMERS 以太网电源变压器 POE 系列

FEATURES

- Developed for Powered Devices (PD) in IEEE 802.3af compliant PoE applications.
- Designed to operate in continuous mode.
- 36–72 V input with versions for 6 Watt output.
- Bias winding output: 12 V, 20 mA.
- 250 kHz switching frequency.

特 征

- 专为符合 IEEE 802.3af 的 PoE 应用中的受电设备 (PD) 开发;
- 设计用于连续模式;
- 36 – 72 V 输入, 6 瓦输出的版本;
- 偏置绕组输出: 12 V, 20 mA;
- 250 kHz 开关频率;

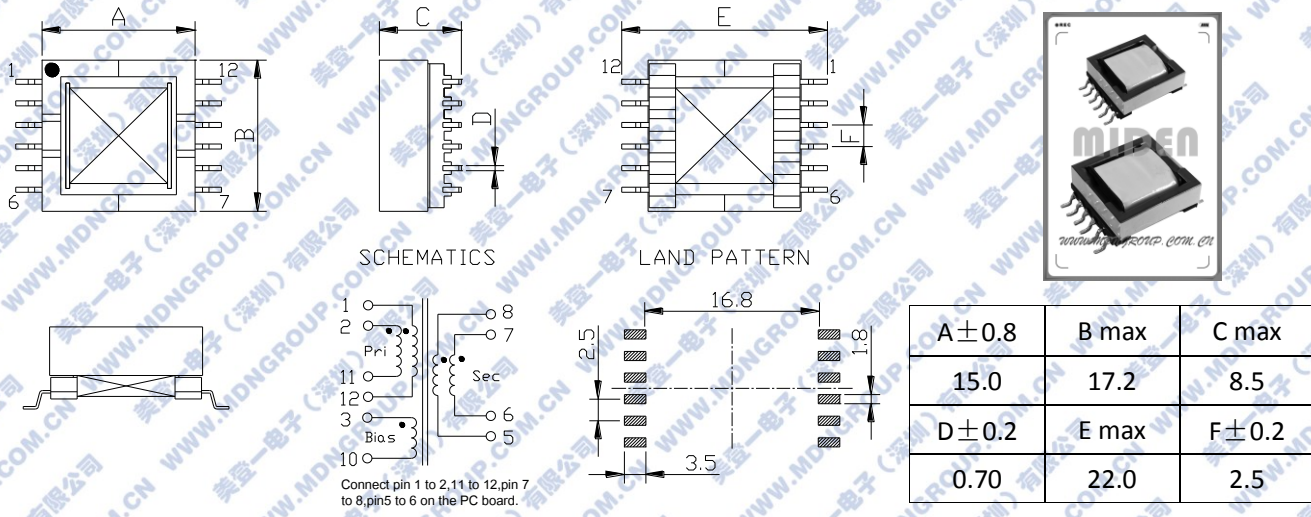
APPLICATIONS

- POE60F Flyback Transformers for Power over Ethernet.

用 途

- 适用于以太网供电。

DIMENSIONS AND LAND PATTERNS(mm)



SPECIFICATION

P/N	L (uH) ±10%	Lk (uH) Max	DCR(Ω)Max			Turns ratio		Ipk (A)	Output
			Pri	Bias	Sec	Pri:Sec	Pri:Bias		
POE60F-18L	75	8.0	0.195	0.195	0.005	1:0.07	1:0.36	1.3	1.8V,3.3A
POE60F-25L	55	4.6	0.095	0.150	0.005	1:0.08	1:0.33	1.2	2.5V,2.4A
POE60F-33L	65	3.9	0.138	0.180	0.007	1:0.11	1:0.36	1.2	3.3V,1.8A
POE60F-50L	60	2.3	0.130	0.165	0.009	1:0.15	1:0.35	1.1	5.0V,1.2A
POE60F-12L	55	0.7	0.095	0.150	0.017	1:0.35	1:0.35	1.1	12V,0.5A

Remark:1. Inductance is for the primary, measured at 250KHz, 0.3V, 0 Adc.
 2. Ipk is peak primary current drawn at minimum input voltage.
 3. DCR for the primary and the secondary are with the windings connected in parallel.