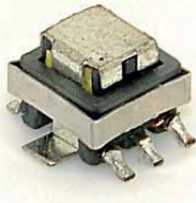
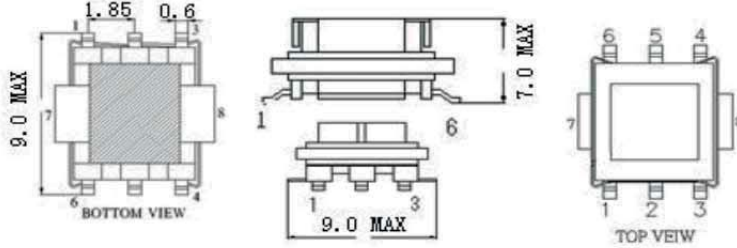

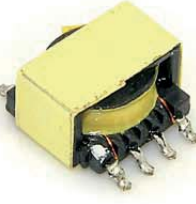
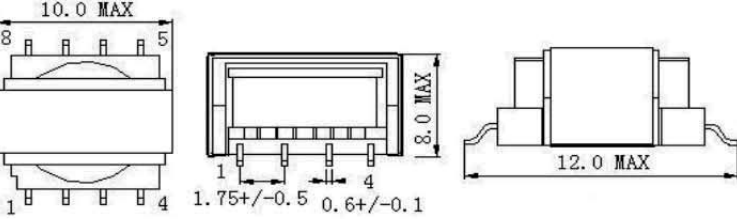


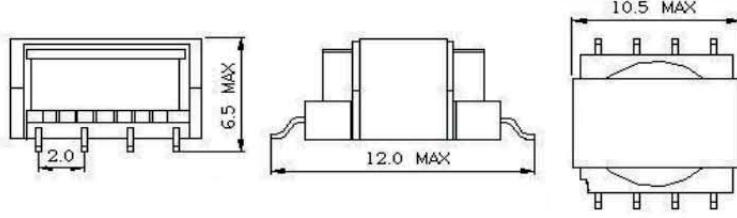



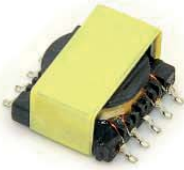
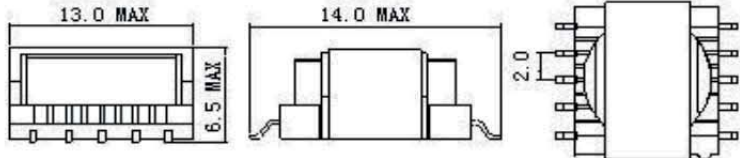

SMD TYPE TRANSFORMER

SMD TYPE MULTIPLE OUTPUT TRANSFORMERS

EE-5.0	DIMENSIONS (mm)		CONSTRUCTION
			
Specifications		Application	
Max. Operating frequency 500KHz	Max. Operating Power 0.6W@100KHz 1.2W@300KHz 2.2W@500KHz	Telephone	
ER-7.5	DIMENSIONS (mm)		CONSTRUCTION
			
Specifications		Application	
Max. Operating frequency 500KHz	Max. Operating Power 0.7W@100KHz 1.7W@300KHz 2.6W@500KHz	Pulse transformers Drive transformers Communication equipment	
ER-9.5	DIMENSIONS (mm)		CONSTRUCTION
			
Specifications		Application	
Max. Operating frequency 500KHz	Max. Operating Power 0.87W@100KHz 2.0W@300KHz 3.0W@500KHz	Portable equipment Pulse transformer	

SMD TYPE TRANSFORMER

SMD TYPE MULTIPLE OUTPUT TRANSFORMERS

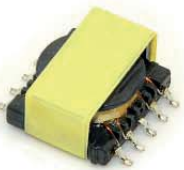
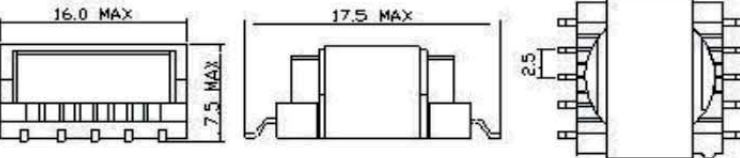

ER-11.5	DIMENSIONS (mm)	CONSTRUCTION
		

Specifications

Max. Operating frequency	Max. Operating Power
500KHz	1.2W@100KHZ 3.5W@300KHZ 6.3W@500KHZ

Application

Portable equipment
Drive for fluorescent display tube


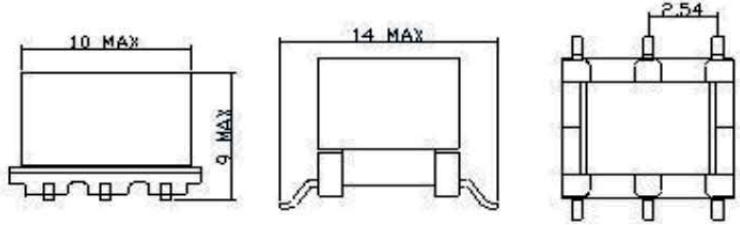

ER-14.5	DIMENSIONS (mm)	CONSTRUCTION
		

Specifications

Max. Operating frequency	Max. Operating Power
500KHz	2.67W@100KHz 6.2W@300KHz 9.30W@500KHz

Application

LCD TV
Note PC
Portable equipment

EP-7	DIMENSIONS (mm)	CONSTRUCTION
		

Specifications


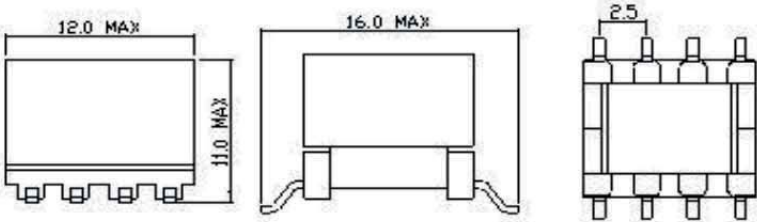


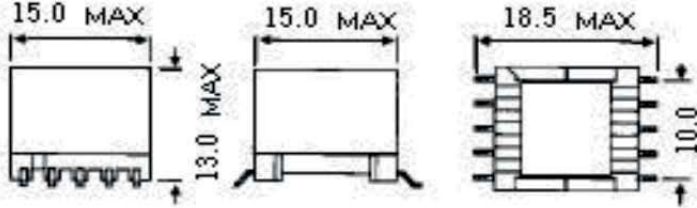

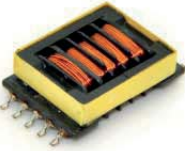


Max. Operating frequency	Max. Operating Power
500KHz	0.9W@100KHz 1.6W@300KHz 3.0W@500KHz

Application

Portable equipment
IP Phone

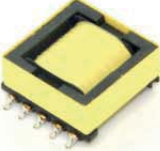
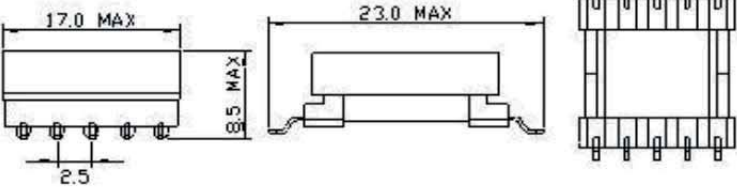

SMD TYPE TRANSFORMER

SMD TYPE MULTIPLE OUTPUT TRANSFORMERS

EP-10	DIMENSIONS (mm)	CONSTRUCTION
		
Specifications		Application
Max. Operating frequency 500KHz	Max. Operating Power 3.1W@100KHz 5.4W@300KHz 12W@500KHz	Telecommunication
EP-13	DIMENSIONS (mm)	CONSTRUCTION
		
Specifications		Application
Max. Operating frequency 500KHz	Max. Operating Power 9W@100KHz 17.5W@300KHz 24W@500KHz	Telecommunication
EFD-13.8	DIMENSIONS (mm)	CONSTRUCTION
		
Specifications		Application
Max. Operating frequency 500KHz	Max. Operating Power 3.1W@100KHz 5.4W@300KHz 9W@500KHz	Portable equipment

SMD TYPE TRANSFORMER

SMD TYPE MULTIPLE OUTPUT TRANSFORMERS

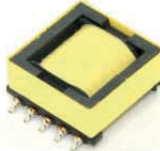
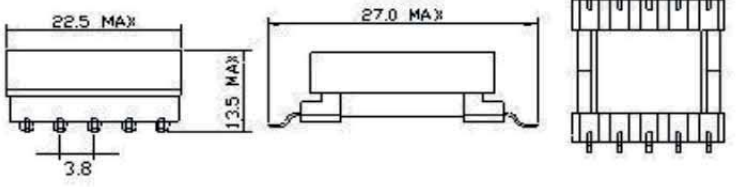
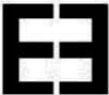
EFD-15	DIMENSIONS (mm)	CONSTRUCTION
		

Specifications

Max. Operating frequency	Max. Operating Power
500KHz	4.7W@100KHz 9.3W@300KHz 18.0W@500KHz

Application

Portable equipment

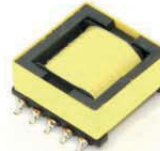
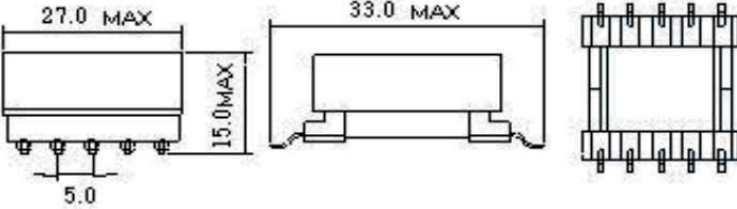

EFD-20	DIMENSIONS (mm)	CONSTRUCTION
		

Specifications

Max. Operating frequency	Max. Operating Power
500KHz	12W@100KHz 24W@300KHz 30W@500KHz

Application

Telecommunication

EFD-25	DIMENSIONS (mm)	CONSTRUCTION
		

Specifications


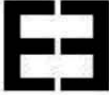


Max. Operating frequency	Max. Operating Power
500KHz	24W@100KHz 43W@300KHz 60W@500KHz

Application

Telecommunication

SMD TYPE TRANSFORMER

SMD TYPE MULTIPLE OUTPUT TRANSFORMERS

EPC-19	DIMENSIONS (mm)		CONSTRUCTION
			
Specifications		Application	
Max. Operating frequency 500KHz	Max. Operating Power 5.4W@100KHz 14.5W@300KHz 22.0W@500KHz	Telecommunication	
EPC-25	DIMENSIONS (mm)		CONSTRUCTION
			
Specifications		Application	
Max. Operating frequency 500KHz	Max. Operating Power 15W@100KHz 35W@300KHz 58W@500KHz	switching regulator	