

## LINE FILTERS 线性滤波器

## UU9.8 /UU9.8H SERIES

## FEATURES

- Through-hole off-line common mode inductors.
- These low cost,high performance choke coils are design to virtually eliminate line conducted common noise.

## APPLICATIONS

- Protects AC input from effects of switching regulators.
- DC-DC converters.

## DIMENSIONS AND LAND PATTERNS(mm)

Fig1:

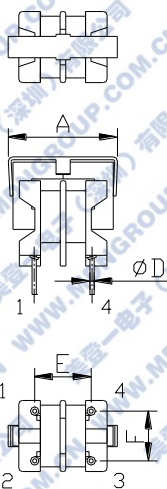
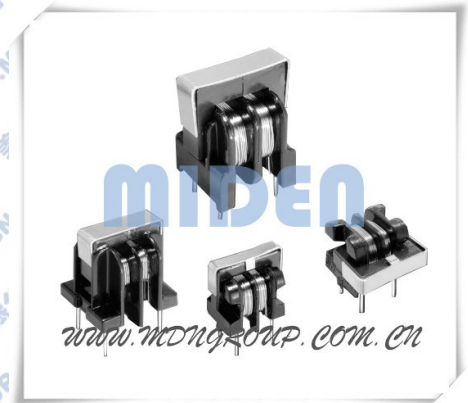
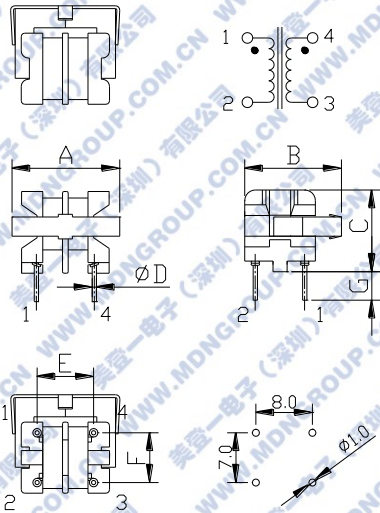


Fig2:



P/N	A max	B max	C max	D $\pm 0.1$	E $\pm 0.2$	F $\pm 0.2$	G $\pm 1.0$	FIG
UU9.8	17.5	11.0	17.0	0.6	8.0	7.0	4.0	1
UU9.8H	17.5	15.5	12.5	0.6	8.0	7.0	4.0	2

## SPECIFICATION

P/N	Inductance (mH)@1KHz Min	DC Resistance ( $\Omega$ ) Max	Rated Current (A)	Rated Voltage (VAC)	Insulation Resistance (M $\Omega$ )
UU9.8 /H-L201U	0.2	0.1	1.60	300	100
UU9.8 /H-L601U	0.6	0.2	1.00	300	100
UU9.8 /H-L102U	1.3	0.5	0.70	300	100
UU9.8 /H-L282U	2.8	0.8	0.50	300	100
UU9.8 /H-L562U	5.0	1.2	0.30	300	100
UU9.8 /H-L103U	10.0	1.8	0.25	300	100
UU9.8 /H-L153U	15.0	2.0	0.15	300	100
UU9.8 /H-L203U	20.0	2.5	0.12	300	100
UU9.8 /H-L303U	30.0	3.0	0.10	300	100

## 特 征

- 通孔离线共模电感。
- 低成本、高性能扼流圈的设计基本上消除了线路传导的通信噪声。

## 用 途

- 保护交流输入免受开关调节器的影响。
- DC-DC 转换器。



## LINE FILTERS 线性滤波器

UU10.5 SERIES

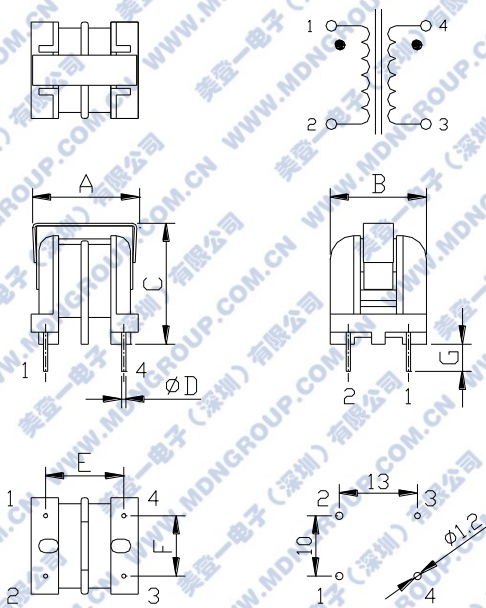
## FEATURES

- Through-hole off-line common mode inductors.
- These low cost, high performance choke coils are design to virtually eliminate line conducted common noise.

## APPLICATIONS

- Protects AC input from effects of switching regulators.
- DC-DC converters.

## DIMENSIONS AND LAND PATTERNS(mm)



## 特 征

- 通孔离线共模电感。
- 低成本、高性能扼流圈的设计基本上消除了线路传导的通信噪声。

## 用 途

- 保护交流输入免受开关调节器的影响。
- DC-DC 转换器。



A max	B max	C max	D ±0.1
19.0	17.0	22.5	0.7
E ±0.2	F ±0.2	G ±1.0	
13.0	10.0	4.0	

## SPECIFICATION

P/N	Inductance (mH) @1KHz Min	DC Resistance (Ω) Max	Rated Current (A)	Rated Voltage (VAC)	Insulation Resistance (MΩ)
UU10.5-L161U	0.16	0.1	4.0	300	100
UU10.5-L221U	0.22	0.1	3.5	300	100
UU10.5-L102U	1.0	0.2	2.5	300	100
UU10.5-L152U	3.0	0.3	2.0	300	100
UU10.5-L552U	5.5	0.5	1.6	300	100
UU10.5-L103U	10.0	0.6	1.5	300	100
UU10.5-L153U	15.0	0.8	1.2	300	100
UU10.5-L203U	20.0	1.0	1.0	300	100
UU10.5-L303U	30.0	1.5	0.7	300	100
UU10.5-L403U	40.0	1.7	0.4	300	100



## LINE FILTERS 线性滤波器

UU16 SERIES

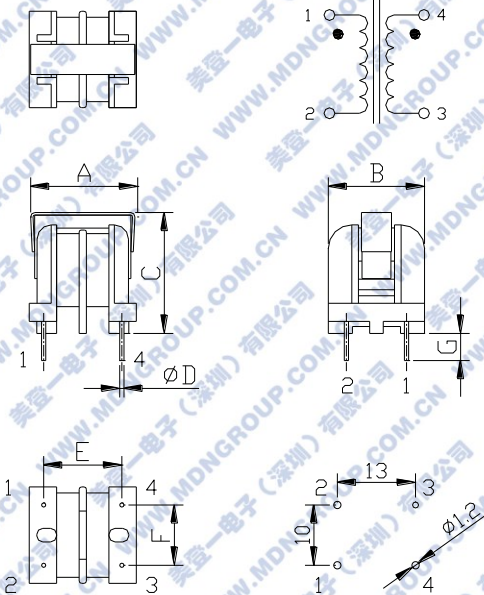
## FEATURES

- Through-hole off-line common mode inductors.
- These low cost, high performance choke coils are design to virtually eliminate line conducted common noise.

## APPLICATIONS

- Protects AC input from effects of switching regulators.
- DC-DC converters.

## DIMENSIONS AND LAND PATTERNS(mm)



## 特 征

- 通孔离线共模电感。
- 低成本、高性能扼流圈的设计基本上消除了线路传导的通信噪声。

## 用 途

- 保护交流输入免受开关调节器的影响。
- DC-DC 转换器。



A max	B max	C max	D ± 0.1
23.0	19.0	27.5	0.7
E ± 0.2	F ± 0.2	G ± 1.0	
13.0	10.0	4.0	

## SPECIFICATION

P/N	Inductance (mH) @1KHz Min	DC Resistance (Ω) Max	Rated Current (A)	Rated Voltage (VAC)	Insulation Resistance (MΩ)
UU16-L102U	1.0	0.1	3.0	300	100
UU16-L202U	2.0	0.2	2.2	300	100
UU16-L502U	5.0	0.3	1.8	300	100
UU16-L103U	10.0	0.5	1.2	300	100
UU16-L153U	15.0	0.7	0.9	300	100
UU16-L203U	20.0	0.9	0.8	300	100
UU16-L253U	25.0	1.3	0.7	300	100
UU16-L453U	45.0	2.3	0.5	300	100
UU16-L803U	80.0	5.0	0.4	300	100